

YSI-200L SERIES



Input: 220-240V AC 50Hz  
Output Voltage: 5V-48V DC  
Rated Power: 200W max

**Features**

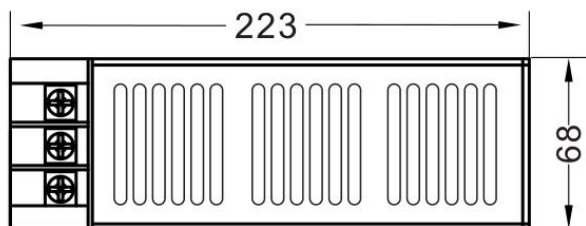
Universal AC input/ Full range  
Energy efficiency level VI  
Leakage Current: < 0.25mA  
Extremely low leakage current  
Protection: Over load/Over voltage/Short circuit  
Withstand voltage : 3KV  
Life Warranty: 3 years

**Application**

Industrial automation control  
Communication equipment  
Led Lighting  
Industrial control equipment

CE FC RoHS

■ Dimensions and Installation



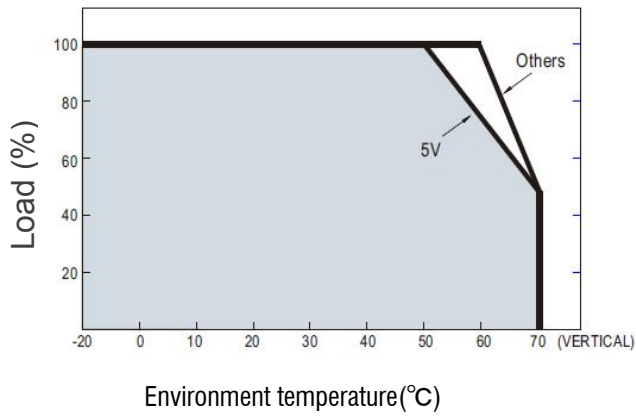
# Switching Power Adapter

## YSI-200L SERIES

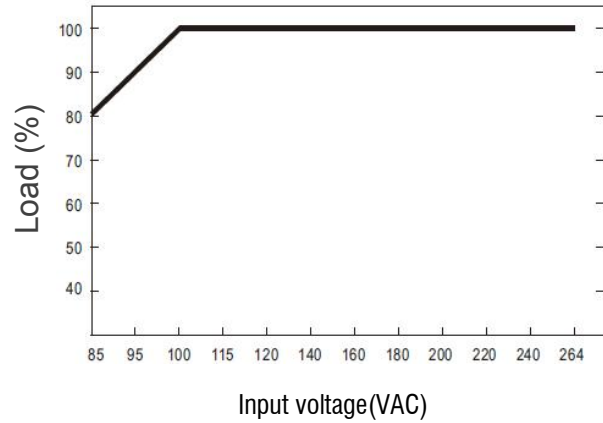
MODEL DETAIL SPEC.		YSI200L-05020000	YSI200L-12016000	YSI200L-24008000
INPUT	Input Voltage:	220-240V AC		
	Input Frequency:	50Hz		
	Inrush Current:	65 Amps max. at 230VAC/50Hz,full load		
	AC Current:	0.2A/115VAC 0.21A/230VAC		
	Leakage Current:	< 0.25mA/240VAC		
	Efficiency:	78%	80%	82%
OUTPUT	DC Voltage:	5V	12V	24V
	Rated Current:	20A	16A	8A
	Rated Power:	100W	192W	192W
	Voltage Tolerance:	±5.0%	±5.0%	±5.0%
	Ripple and Noise:	75mVp-p	120mVp-p	200mVp-p
	Line Regulation:	±3%		
	Load Regulation:	±5%	±5%	±5%
	Setup, Rise, Hold Up time:	500ms, 30ms/120ms 230VAC 1000ms, 30ms/25ms 115VAC at full load		
ENVIRONMENTAL	Operating Temperature:	-20 ~ +60 (Refer to "Derating Curve")		
	Storage Temp:	-40°C ~ 85°C		
	Storage Humidity:	10 ~ 95% RH		
	Working Humidity:	20 ~ 95% RH non-condensing		
PROTECTION	Over Load:	Above 105% rated output power		
		Protection type: Hiccup mode, recovers automatically after fault condition is removed		
	Over Voltage:	5V:5.75~ 6.75V 12V:13.8 ~ 16.2V 15V:17.25 ~ 20.25V 24V:27.6 ~ 32.4V		
		Protection type: Shut down o/p voltage, re-power on to recover		
Over Temperature:	Shut down o/p voltage, re-power on to recover			
SAFETY & EMC	Safety Regulations:	UL508, TUV BS EN/EN62368-1, EAC TP TC 004, BSMI CNS14336-1, AS/NZS 62368.1 approved		
	Withstand Voltage:	I/P-O/P:3KV AC I/P-FG:2KV AC O/P-FG:0.5KV AC		
	Isolation Resistance:	I/P-O/P, I/P-FG, O/P-FG:100M Ohms / 500VDC / 25°C/ 70% RH		
	EMC Emission:	Compliance to BS EN/EN55032 (CISPR32), BS EN/EN61204-3 Class B, BS EN/EN61000-3-2,-3, EAC TP TC 020, CNS13438 Class B		
	EMC Immunity:	EN/EN61000-4-2,3,4,5,6,8,11		
OTHER	MTBF:	500Khrs min. MIL-HDBK-217F(25°C)		
	Size:	223*68*40mm		
	Weight:	215g / pcs		
	Packaging:	20PCS/CTN		

**YSI-200L SERIES**

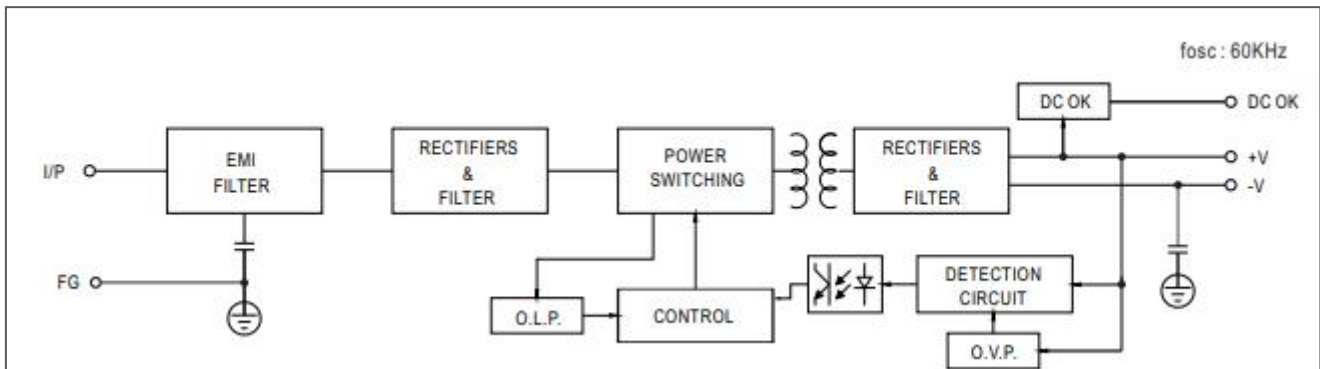
**Deduction curve and temperature**



**Minus output and input voltage curves**



**Functional Diagram**



Via L.da Vinci, 47 -20030 Senago (MI)  
 Tel.029989684 info@larsonnuova.it  
 www.larsonnuova.it