

YSI-100L SERIES



Input: 220-240V AC 50Hz
Output Voltage: 5V-48V DC
Rated Power: 60W max

Features

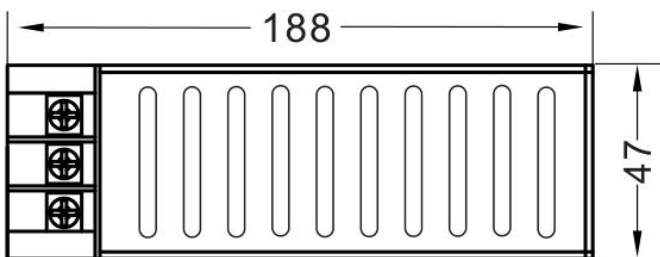
Univeral AC input/ Full range
Energy efficiency level VI
Leakage Current: < 0.25mA
Extremely low leakage current
Protection: Over load/Over voltage/Short circuit
Withstand voltage : 3KV
Life Warranty: 3 years

Application

Industrial automation control
Communication equipment
Led Lighting
Industrial control equipment

CE FC RoHS

■ Dimensions and Installation



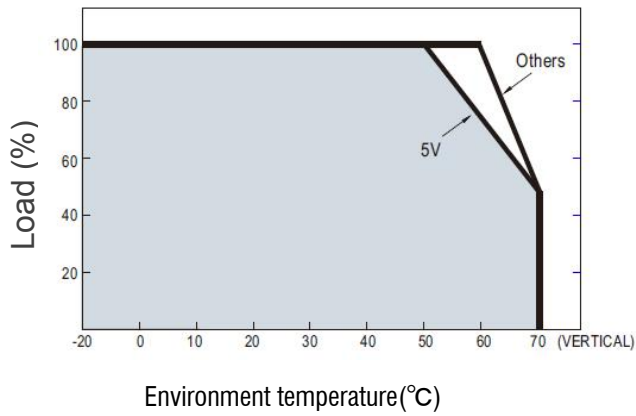
Switching Power Adapter

YSI-100L SERIES

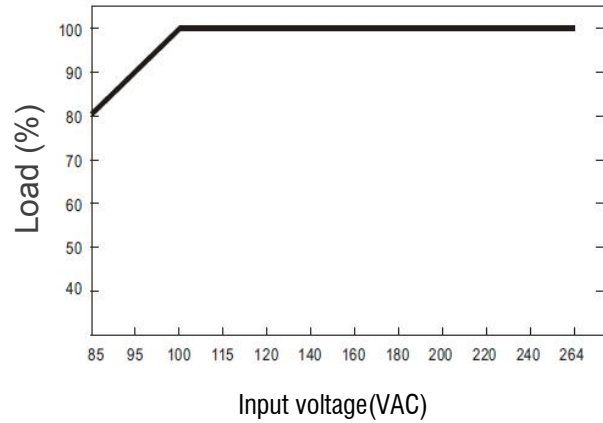
| MODEL DETAIL SPEC. | | YSI100L-05010000 | YSI100L-12010000 | YSI100L-24005000 |
|--------------------|---|---|------------------|------------------|
| INPUT | Input Voltage: | 220-240V AC | | |
| | Input Frequency: | 50Hz | | |
| | Inrush Current: | 65 Amps max. at 230VAC/50Hz,full load | | |
| | AC Current: | 0.2A/115VAC 0.21A/230VAC | | |
| | Leakage Current: | < 0.25mA/240VAC | | |
| | Efficiency: | 78% | 80% | 82% |
| OUTPUT | DC Voltage: | 5V | 12V | 24V |
| | Rated Current: | 10A | 10A | 5A |
| | Rated Power: | 50W | 120W | 120W |
| | Voltage Tolerance: | ±5.0% | ±5.0% | ±5.0% |
| | Ripple and Noise: | 75mVp-p | 120mVp-p | 200mVp-p |
| | Line Regulation: | ±3% | | |
| | Load Regulation: | ±5% | ±5% | ±5% |
| | Setup, Rise, Hold Up time: | 500ms, 30ms/120ms 230VAC 1000ms, 30ms/25ms 115VAC at full load | | |
| ENVIRONMENTAL | Operating Temperature: | -20 ~ +60 (Refer to "Derating Curve") | | |
| | Storage Temp: | -40°C ~ 85°C | | |
| | Storage Humidity: | 10 ~ 95% RH | | |
| | Working Humidity: | 20 ~ 95% RH non-condensing | | |
| PROTECTION | Over Load: | Above 105% rated output power | | |
| | | Protection type: Hiccup mode, recovers automatically after fault condition is removed | | |
| | Over Voltage: | 5V:5.75~ 6.75V 12V:13.8 ~ 16.2V 15V:17.25 ~ 20.25V 24V:27.6 ~ 32.4V | | |
| | | Protection type: Shut down o/p voltage, re-power on to recover | | |
| Over Temperature: | Shut down o/p voltage, re-power on to recover | | | |
| SAFETY & EMC | Safety Regulations: | UL508, TUV BS EN/EN62368-1, EAC TP TC 004, BSMI CNS14336-1, AS/NZS 62368.1 approved | | |
| | Withstand Voltage: | I/P-O/P:3KV AC I/P-FG:2KV AC O/P-FG:0.5KV AC | | |
| | Isolation Resistance: | I/P-O/P, I/P-FG, O/P-FG:100M Ohms / 500VDC / 25°C/ 70% RH | | |
| | EMC Emission: | Compliance to BS EN/EN55032 (CISPR32), BS EN/EN61204-3 Class B, BS EN/EN61000-3-2,-3, EAC TP TC 020, CNS13438 Class B | | |
| | EMC Immunity: | EN/EN61000-4-2,3,4,5,6,8,11 | | |
| OTHER | MTBF: | 500Khrs min. MIL-HDBK-217F(25°C) | | |
| | Size: | 188*47*35mm | | |
| | Weight: | 170g / pcs | | |
| | Packaging: | 50PCS/CTN | | |

YSI-100L SERIES

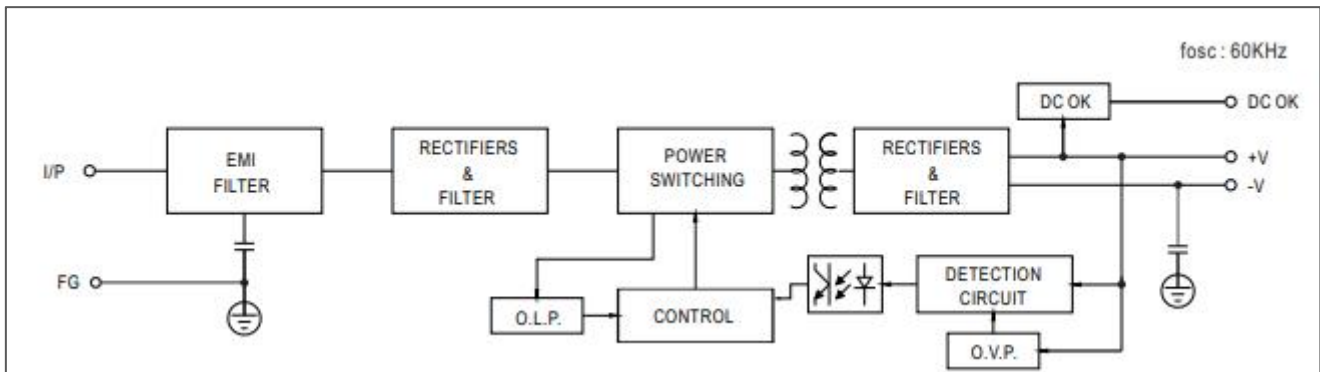
Deduction curve and temperature



Minus output and input voltage curves



Functional Diagram



Via L.da Vinci, 47 -20030 Senago (MI)
 Tel.029989684 info@larsonnuova.it
 www.larsonnuova.it