



■ Features

- AC100-240V input for worldwide used with rechargeable AC cord C13 inlet
- Perfect for charging all Lithium ion/lithium polymer batteries
- Fully automatic 4 stages charging process by MCU controlled With Cut-OFF function
- Green 4Leds indicator for battery charging and Red Led indicator for Power on
- Output constant current for faster charging
- Protections:Short circuit/OVP/OCP/Overload/Polarity reversed
- 100% full load and burn-in test
- High efficiency,long life and high reliability
- 2 years warranty

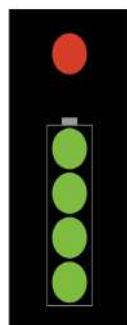
■ Applications

- Suit battery:
- Li-ion battery 3~13cells 4~100AH
 - polymer battery
 - e-bike,motorcycle,electric vehicle,
 - electric tools, emergency light,
 - portable electronics devices,
 - field detection instrument
 - Floor cleaning equipment

■ Description

EPL150-XX series is a 150W 4 stages smart battery charger by MCU controlled with 4Leds indicator for battery charging EPL150-XX programmed 4 stages Ip-Im-Um-Cut off charging process ,Stage "Ip" is a pre-charge function for deep dischargedbattery ,it is helpful for battery's cycle life.when battery recovered by Ip small current,stage"lp"will output bulk current,Then,"Um"stage is followed,the output voltage is limited at 4.2V/cells,until the charging current declined to 0.8A under At this stage,the battery is charged completely and the charger will cut-off output automatic

■ Display Panel



Power on LED

Charging process indicator

- Indicate battery capacity from 25% to 100% when charging
- All LEDs flashing means battery polarity reversed or output shorted
- All Leds are"off" means no battery

■ Model Encoding

EPL150-XX



Output Voltage(12,16,24,42)

Output power

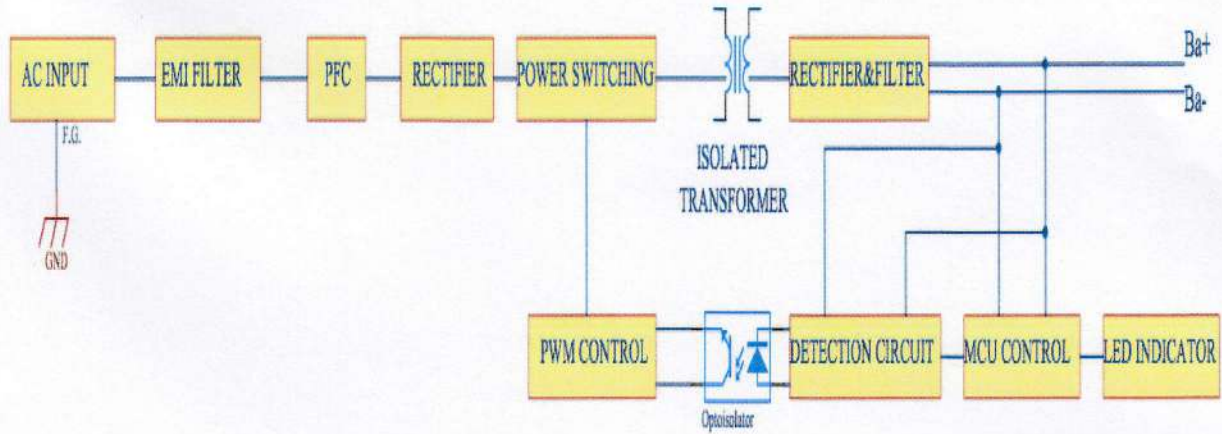
Battery type L:LI-ION F:LiFePO4 X:battery cells



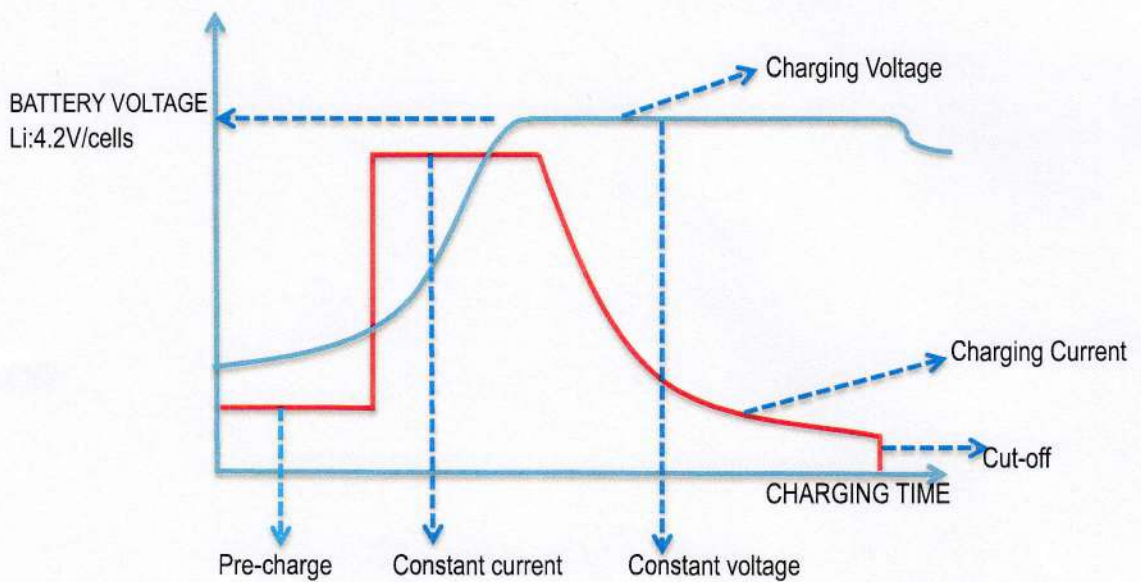
■ Specification

Model		EPL150-12	EPL150-16	EPL150-24	EPL150-42	EPL150-42/13S	
OUTPUT	DC Voltage	12.6V	16.8V	29.4V	42V	54.6V	
	RATED CURRENT	10A /12A	8A	5A	3.5A/4A	2.5A	
	RATED POWER	126W/151W	135W	147W	147W	136.5W	
	VOLTAGE RANGE	7.5V~12.75V	10V~17V	17.5V~30V	25V~43V	32.5V~55V	
	CURRENT RANGE	±0.5A	±0.5A	±0.3A	±0.2A	±0.2A	
	VOLTAGE TOLERANCE	±1%	±1%	±1%	±1%	±1%	
	LINE REGULATION	±0.5%	±0.5%	±0.5%	±0.5%	±0.5%	
INPUT	VOLTAGE RANGE	100~240VAC					
	FREQUENCY RANGE	47~63Hz					
	EFFICIENCY	80%	80%	80%	80%	80%	
	AC CURRENT	3A/115 VAC 1.5A/230VAC					
FUNCTION	CHARGING PROCESS	Ip-Im-Um-Cut off					
	CHARGING MODE	Fully automatically 4 stages by MCU controlled					
	CHARGE END CONDITION	>0.5A	>0.5A	>0.3A	>0.3A	>0.2A	
	CHARGING INDICATOR	Red LED:Power on 4Green LED:25%~100% battery capacity Green LED Flash:Fault					
	SUIT BATTERY	3cell li 8~60Ah	4cells li 7~60Ah	7cells li 4-32Ah	10cells li 3-25Ah	13cells li-2~15Ah	
	CHARGING TIME	1~8H					
PROTECTION	OVER VOLTAGE	12.75V(limited)	17V(limited)	29.75(limited)	42.5V(limited)	55V(limited)	
	OVER LOAD	110~140% rated output power					
	OUTPUT SHORTED	Green LED Flash/Hiccup mode,recovers automatically after fault condition is removed					
	POLARITY REVERSED	Green LED Flash/Hiccup mode,recovers automatically after fault condition is removed					
ENVIRONMENT	WORKING TEMP.	-10 ~ +50°C					
	WORKING HUMIDITY	20~90% RH NON-CONDENSING					
	STORAGE TEMP.,HUMIDITY	-10 ~ +50°C 20~90%					
	Cooling	FAN					
	water proof	IP20					
	IMPACT	1 Meter drop test>=3times					
SAFETY	SAFETY STANDARDS	EN60950-1 EN55022					
	EMC STANDARD	T.B.D					
	MTBF	30000 Hrs MIL-HDBK-217F					
	ESD	8KV					
	ISOLATION RESISTNCE	i/p to o/p: 3000V (1 min.)					
	MAX.TEMP.RISE	< 40°C on casing					
MECHANICAL	WEIGHT	400g (only body)					
	SIZE	160*95*55MM					
	CASE	Aluminum					

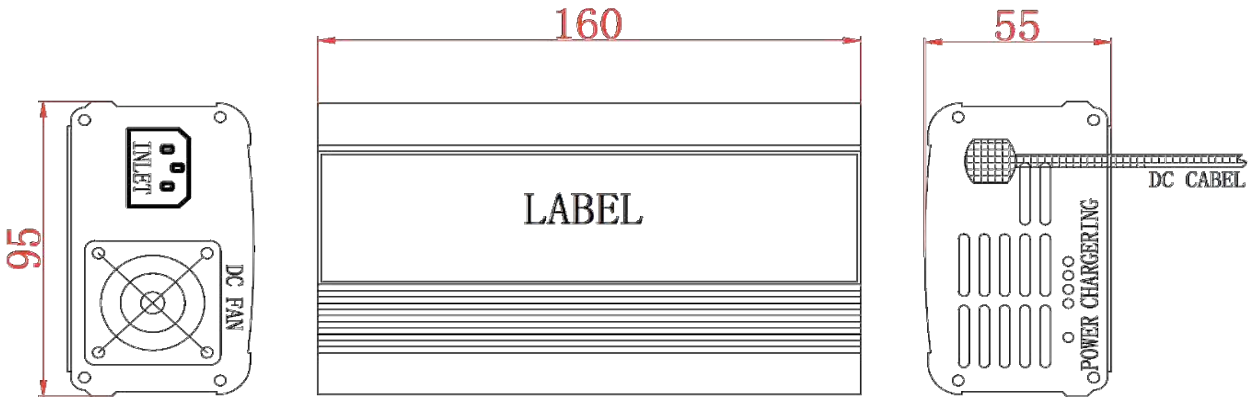
■ Block Diagram



■ CHARGING CURVES



■Mechanical Specification



DC Connector

General type of DC output plug photos

NLA-3 (2.1×5.5×12)



NLA-6 (KET-MG-620024)



NLA-12 (Lotus)



NLA-4 (2.5×5.5×12)



NLA-7 (L-Alligator clips, 15A)



NLA-13 (Voyage terminal)



NLA-5 (KET-MG-620006)



NLA-8 (Ring terminal)



NLA-14 (XLR Female)



NLA-9 (SS-Alligator clips, 3A)



NLA-11 (XLR Male)

