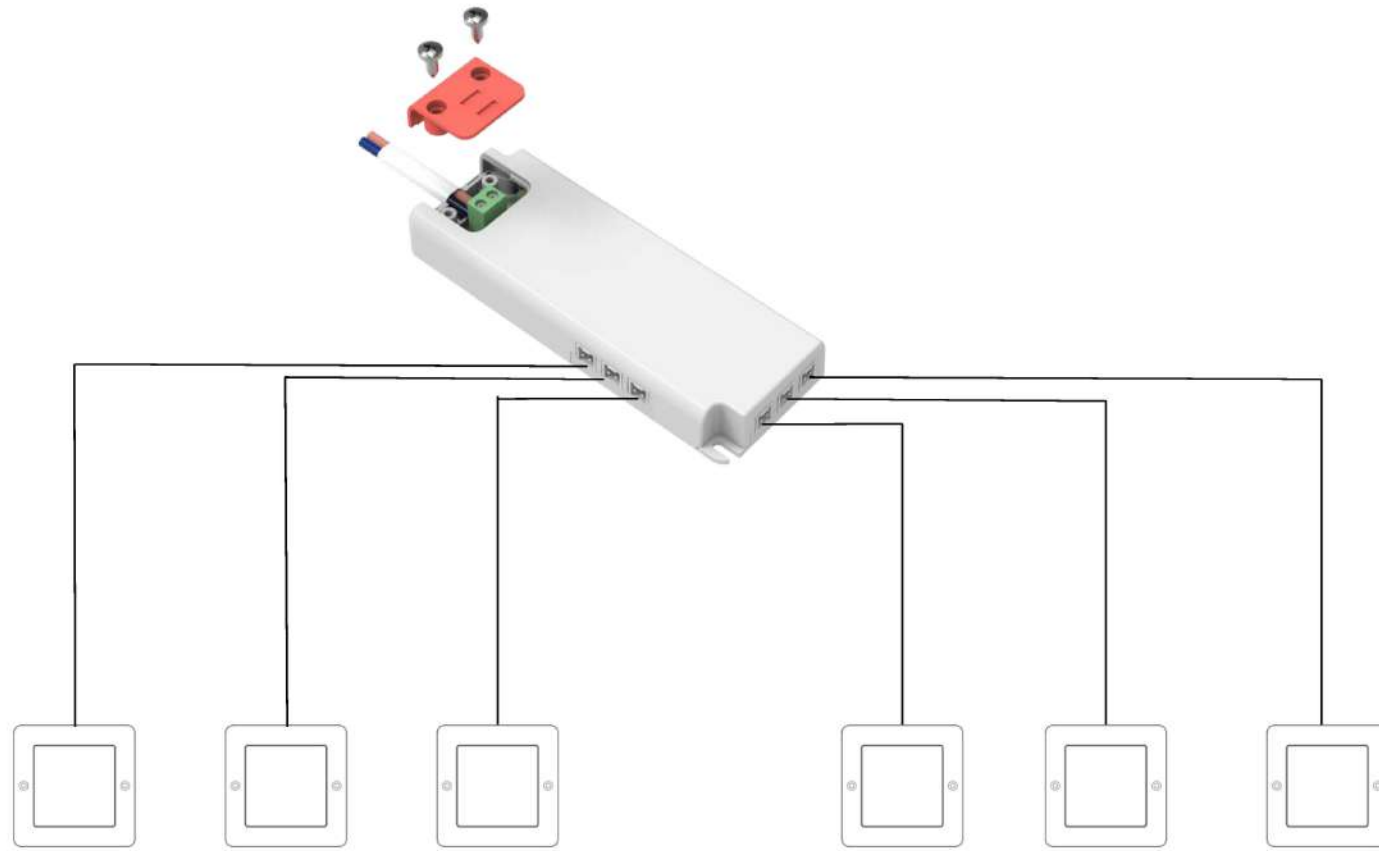


## Special LED Drivers for Cabinet Lights



## Applications and Connecting







## YSL12C-12W Series

### Product features:

Input:100-240VAC 50/60Hz

Output: 3 output

Constant Voltage

Short Circuit Protection,Over Current Protection,Over Voltage Protection

Over Temperature Protection:≤130°C

Operating Temperature:-20~50°C

CE,EMC,ROHS,REACH compliance

Warranty: 3 years

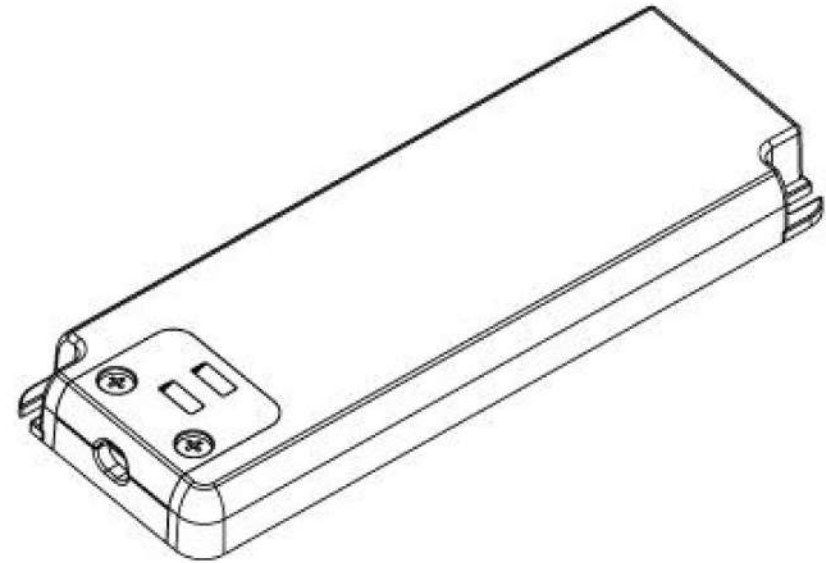
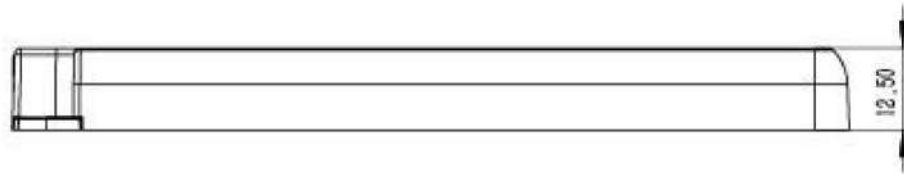
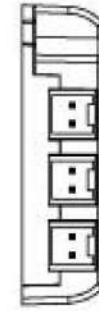
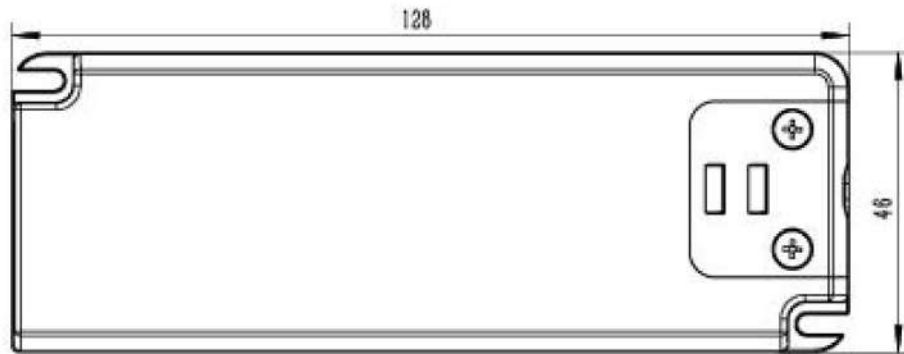
### Standards:

IEC61347 IEC55015 IEC61000 IEC61547

### Specification :

ITEM NO	YSL12C-1201000	YSL12C-2400500
Power	12W	
Input Voltage	AC100-240V	
Output Voltage	DC12V	DC24V
Max Output Current	1A	0.5A
TC	85°C	
PFC	-	
IP Rate	IP20	
Dimension	128*46*12.5MM	

YSL12C Dimension:





## YSL20C-20W Series

### Product features:

Input:100-240VAC 50/60Hz

Output: 6 output

Constant Voltage

Short Circuit Protection,Over Current Protection,Over Voltage Protection

Over Temperature Protection: $\leq 130^{\circ}\text{C}$

Operating Temperature: $-20\sim 50^{\circ}\text{C}$

CE,EMC,ROHS,REACH compliance

Warranty: 3 years

### Standards:

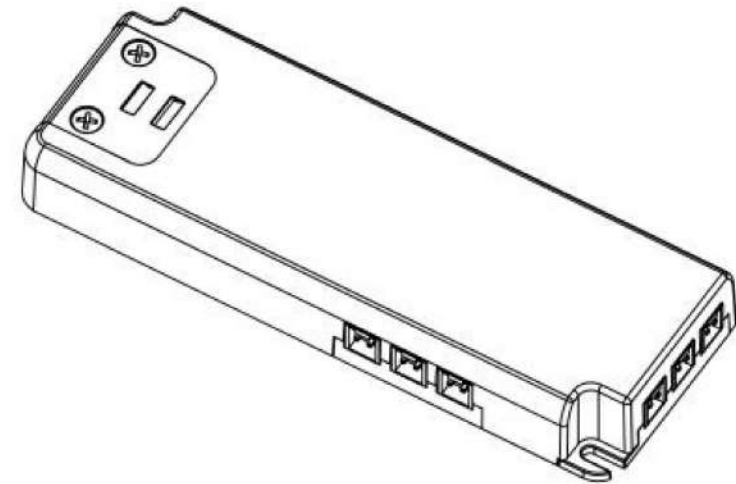
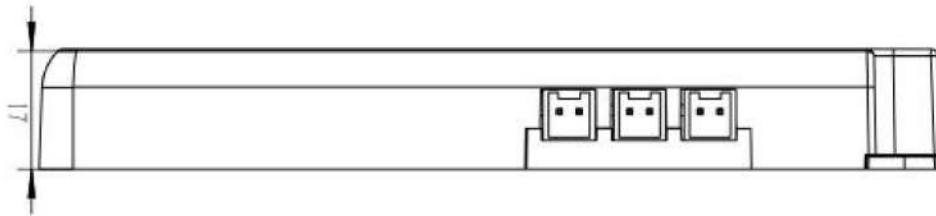
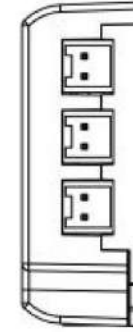
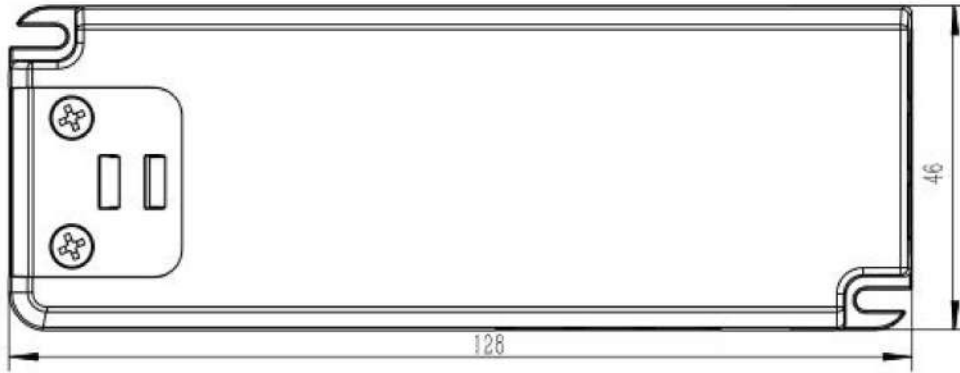
IEC61347 IEC55015 IEC61000 IEC61547

### Specification :

ITEM NO	YSL20C-1201660	YSL20C-2400830
Power	20W	
Input Voltage	AC100-240V	
Output Voltage	DC12V	DC24V
Max Output Current	1.66A	0.83A
TC	$85^{\circ}\text{C}$	
PFC	-	
IP Rate	IP20	
Dimension	128*46*17MM	



YSL20C Dimension:





## YSL30C-30W Series

### Product features:

Input:100-240VAC 50/60Hz

Output: 6 output

Constant Voltage

Short Circuit Protection,Over Current Protection,Over Voltage Protection

Over Temperature Protection:≤130°C

Operating Temperature:-20~50°C

CE,EMC,ROHS,REACH compliance

Warranty: 3 years

### Standards:

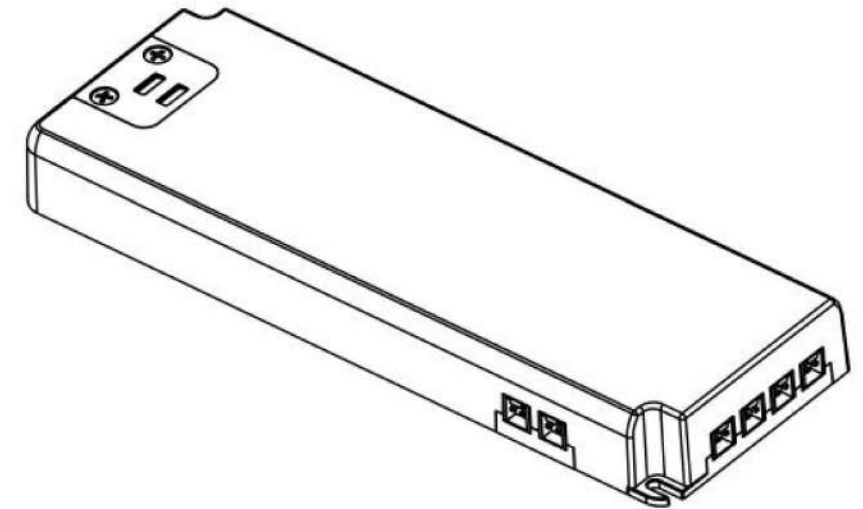
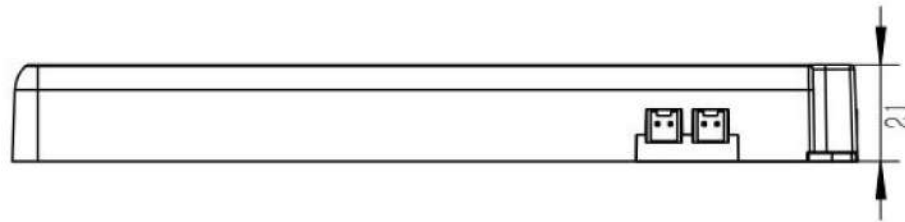
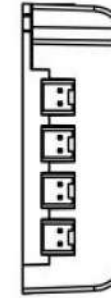
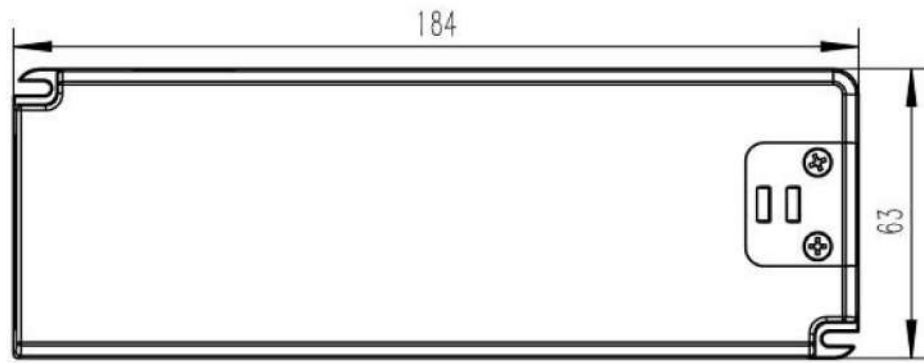
IEC61347 IEC55015 IEC61000 IEC61547

### Specification :

ITEM NO	YSL30C-1202500	YSL30C-2401250
Power	30W	
Input Voltage	AC100-240V	
Output Voltage	DC12V	DC24V
Max Output Current	2.5A	1.25A
TC	85°C	
PFC	0.9	
IP Rate	IP20	
Dimension	184*63*21MM	



YSL30C Dimension:





## YSL60C-60W Series

### Product features:

Input:100-240VAC 50/60Hz

Output: 6 output

Constant Voltage

Short Circuit Protection,Over Current Protection,Over Voltage Protection

Over Temperature Protection: $\leq 130^{\circ}\text{C}$

Operating Temperature: $-20\sim 50^{\circ}\text{C}$

CE,EMC,ROHS,REACH compliance

Warranty: 3 years

### Standards:

IEC61347 IEC55015 IEC61000 IEC61547

### Specification :

ITEM NO	YSL60C-1205000	YSL60C-2402500
Power	60W	
Input Voltage	AC100-240V	
Output Voltage	DC12V	DC24V
Max Output Current	5A	2.5A
TC	85 $^{\circ}\text{C}$	
PFC	0.9	
IP Rate	IP20	
Dimension	184*63*21MM	

YSL60C Dimension:

